

Warranty

▶ To receive after service, have the following ready before you contact our branches.

1. Name of the product.
2. Model number of the product.
3. The area of problem.
4. Phone number and address at which you can be contacted.

Warranty Card

PRODUCT	
MODEL	
DATE PURCHASED	
WARRANTY PERIOD	
AGENCY ADDRESS	

▶ KOCOM Warranties the original purchaser of this product as follows.

- 1) This product is produced under strict quality control and inspection procedures.
- 2) If this product breaks down during proper use as a result of product defect, KOCOM will repair it within one year from date of purchase free of charge.
- 3) The following cases will be subject to charge, even during warranty period:
 - a. Breakdown during transport, or through careless treatment, by consumer.
 - b. Breakdown cause by unauthorized repair, or system modification.
 - c. Breakdown caused by natural disaster or power disorder.



<http://www.kocom.com>

E-mail : export@kocom.co.kr

This manual is based on the date as shown in the right and specifications are subject to change without notice for quality improvement

KLP-410 series User Manual

[Multiplex House Lobby Phone User/Installation Manual]

LOBBYPHONE

- Household call & conversation feature
- Guard call & conversation feature
- Routed guard call feature
- Automatic door open feature using common PIN code
- Automatic door open feature using household PIN code
- Automatic door open feature using RF-Card (*KLP-C410R)



KLP-410 Series

Cautions for safety

For safe use, please stick to the following cautions.

- Please, save this manual after reading these instructions carefully.
- Read and understand all instructions to set up rightly.
- This Cautions for Safety may include items that are not contained in specifications of the product that consumer purchases.
- If you need assistance with the set-up or operation, please contact with A/S center.

The important marks in the manual.

To help our customers to understand this manual, to prevent any personal injury or property damage, some marks are used in the manual. The marks and the drawing signs are below. Please, understand the marks before reading the manual.

The meaning of the drawing signs.

	Sign to show what not to do		Mishandling the device with ignoring this sign may result in serious injury or death.
	Mishandling the device with ignoring this sign may result physical injury or material damage.		
	Sign to tell you that you should follow the instructions.		Sign to tell you that you need more attention including high voltages, electric shock, danger, warning)
	Sign to tell you that you can't disassemble this unit.		Sign to tell you that you must unplug the unit.

Caution

Caution for set-up

- The law limits distributing the power lines to an authorized person from government. The work from an unauthorized person cause fire or electric shock.
- Place this unit securely on a stable surface. Serious damage and/or injury may result if the unit falls.
- Do not set up this unit near the leaking place because it may expose you to dangerous voltages or other risks.
- Even if your product is water proof, do not install it slanted place of water leakage, which can a short circuit.
- The work of distributing wires needs skills and experiences. So please, for assistance, contact your dealer or call service center.
- The communication lines should be built in being distant from the power source. This may result in the risk of fire, electric shock and communication disorder.
- Setting the communication lines in a high humid place such as outside without any protection from rain causes the communication disorder.
- Keep the hook at the wall-mounted device safe. The hook may cause the physical injury.
- Think about the thickness and quality of wall material. The unqualified material may make the device fall.
- Set the device of the wall-mounted type not to fall. Falling from an earthquake causes personal injury.

Caution for Repairs and Maintenance

- Keep the inside of the device clean. Having the dust inside without any cleaning for a long time causes the fire. If necessary, contact your dealer or service center to get cleaning service.
- Unplug this device when you want to check the inside. If there is no plug, please, turn off the circuit breaker.
- Unplug this device when you try to move it to another place. If the electric line is connected inside of the unit, please contact your dealer or service center.
- Do not use liquid or aerosol cleaners. Use a damp cloth for cleaning

Warning

Warnings for Usage

- Do not install this unit near the water and dust, for example, in a bathroom or near the washing machine. It caused fire and electric shock.
- Do not install this unit near the fire, for example, near kitchen sink, heater or the like.
- Do not install near the noxious gas such as Hydrogen Sulfide, metal power and the like.
- Do not install near the water and chemicals.
- Do not give any damage, break and modify the plug. Overloading, heating, pulling causes the damage.
- Do not place the plug near the heater. The damaged code causes fire and electric shock. Do not pull the power code when unplugging.
- The damaged code causes fire and electric shock. Must pull with plug. Do not touch with wet hands. It causes the electric shock.
- Do not use any other voltage, except the marked regular voltage.
- Do not use the power terminal at the units to other electric device except the designed device.
- Do not install the units at the leaking place if it doesn't have any waterproof mark. Do not install the unit when the power is on.
- Install the circuit breaker after checking the safety such as electric shock and leakage. Turn off the power before you install or A/S
- Check the suitability of the lines for installing when you use the exiting lines.
- Do the wiring work by using the designed material.
- Connect the electric wire with the designed ways and ground.
- Do not connect with any other devices except the designed devices to compose the system.
- Unplug electric wire and communication lines from the units before moving to another place.

Caution for Use

- This unit is not designed for security purpose. Do not handle the unit with the wet hands.
- Do not place a pot with water or a small metal material on the Units.
- Do not cover the ventilating opening or put any metal material in the units.
- During thunderstorms, avoid using this unit. There may be a remote risk of an electric shock from lightning.
- Do not modify the unit. Open the main gate after checking ID if the image and sound system do not work, Call A/S
- Do not disassemble the back and cabinet cover.

Caution for Abnormality

- Change the damaged electric code.
- Unplug this unit from plug socket and refer servicing to an authorized service center when the following conditions occur:
 - If liquid has been spilled into the unit.
 - If the unit does not work normally by following the operating instructions.
 - If the unit exhibits a distinct change in performance.
 - If the unit has been dropped or physically damaged.

Caution

Safety Instructions, Warnings and Cautions of Each System

- Do not disassemble this unit at will as this device is composed by precision parts. Install the unit by following the set-up instructions of Kocom.
- Do not touch or insert any foreign substances, for example, sticker, magnetic, opener and the like
- Make U-type at the end of wires as the rain can effect on the system by following the wires during the rainy season.

Videophone

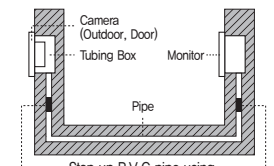
- Separate the AC/DC lines with the hook of the wall-mounted type when installing. Connect the lines after peeling the wires properly
- Do not distribute signal line with AC line. Use the designed driver to connect the lines to terminal
- Do not clean the LCD with the damp cloth for cleaning. Use the only dry and soft cloth. Do not install the main gate monitor at the leaking place.

Things You Need to Know

- This product is designed as a home videophone and cannot use continuously like monitor camera.
- If there is temperature difference between inner part of camera and surrounding, dew condensation occurs on camera lens and may disturb image. If dew condensation is removed from camera lens, image quality recovers.
- White LED light examination range is narrower than camera shot range at night, so there is less amount of light at night than day. So it is difficult to see the face in low illumination condition due to noise increase on screen, but it is not from defect.
- Monitor screen (liquid crystal panel) is not in defect when some pixels always light or black out.
- Please install monitor and camera over 5cm away. Also, avoid installing at a place with too much noise, because too much noise around camera causes phone call inferiority.
- Do not place an object within 20cm in front of monitor. It causes phone call inferiority, especially because microphone is installed at the top of monitor.
- If strong light such as sunlight flows into camera module, screen saturation (or strange mark) and image shaking might occur.
- This is not a defect, so please do not install camera where a direct ray of light do not flow if possible.

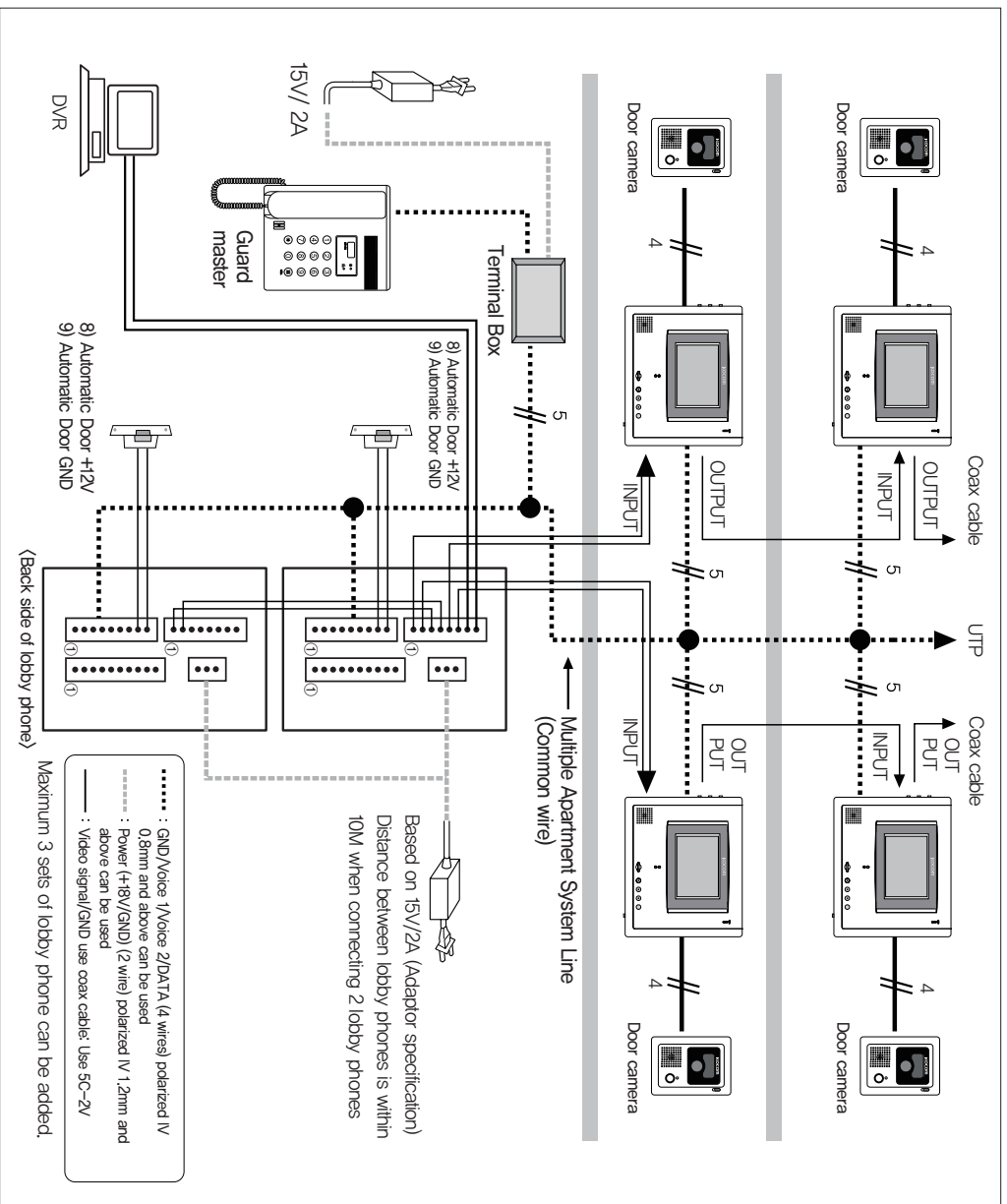
Cautions

- In some cases there is occurrence of product destruction, malfunction, noise mixing and picture quality deterioration due to mixing of other tool's induced voltage or thunder with communication wiring of monitor/camera, monitor/extended monitor.
- Do not wire with power line such as outdoor wiring or AC power, or phones and other tools.
- You cannot use it if you incorrectly wire the AC voltage between monitor/camera, monitor/extended monitor. Call the store or agency where you purchased this product and consult to solve the problem.
- Beware that unfixable damage might be caused due to authorizing AC voltage on communication wiring of monitor/camera, monitor/extended monitor.
- Do not ever disjoint this product. It may cause electrocution accident when touching high-voltage circuit inside this product.
- Outside power authorizing this product must be confirmed of product description and use rated voltage. Beware that if higher voltage is authorized, unfixable damage might be caused due to product destruction.
- Power must be connected to domestic voltage (product rated voltage) consent or interior wiring. If connected to other motive power or inverter-type power, product destruction, noise mixing, and picture distortion may occur.
- Do not drop this product. Glass is used for monitor and might break, or cause other circuit inferiority.
- In such case, immediately turn down the power switch, and call to consult agency or store in which this product was purchased.
- If installed near transmission antenna such as broadcasting station, electric wave may mix and cause picture distortion or voice mixing.
- Avoid installing near tools with strong electromagnetic waves such as microwaves and cell phones, or it may cause picture distortion.
- Do not install monitor in following places.
 - ① Above or around water heater, rice-cooker, heater
 - ② Place exposed to direct rays of the sun
 - ③ Place with temperature below 0°C such as cold store
 - ④ Place with high humidity such as bathroom, washroom, heated room
 - ⑤ Place with a lot of gas, dust, smoke
 - ⑥ Dangerous place with sprays of water or chemicals
- Do not wipe with insecticide, drugs or chemicals such as thinner and alcohol, or it may damage the surface of this product.
- Beware of occurrence of image quality deterioration or malfunction from cause of humidity due to penetration of chemicals or water into camera's urea resins.
- As in the picture, it prevents temperature difference of camera (outside) and monitor (inside), and removes dew condensation caused by humidity of camera window.
- Camera must be installed when wall cement is completely dry.
- When product is installed in winter below -5°C, wait for approximately 2 hours to connect. Dew formation in monitor and camera due to temperature difference inside and outside may cause product defect.
- Avoid installing monitor and camera in place directly exposed to heat or where gas noxiousness is highly occurring.

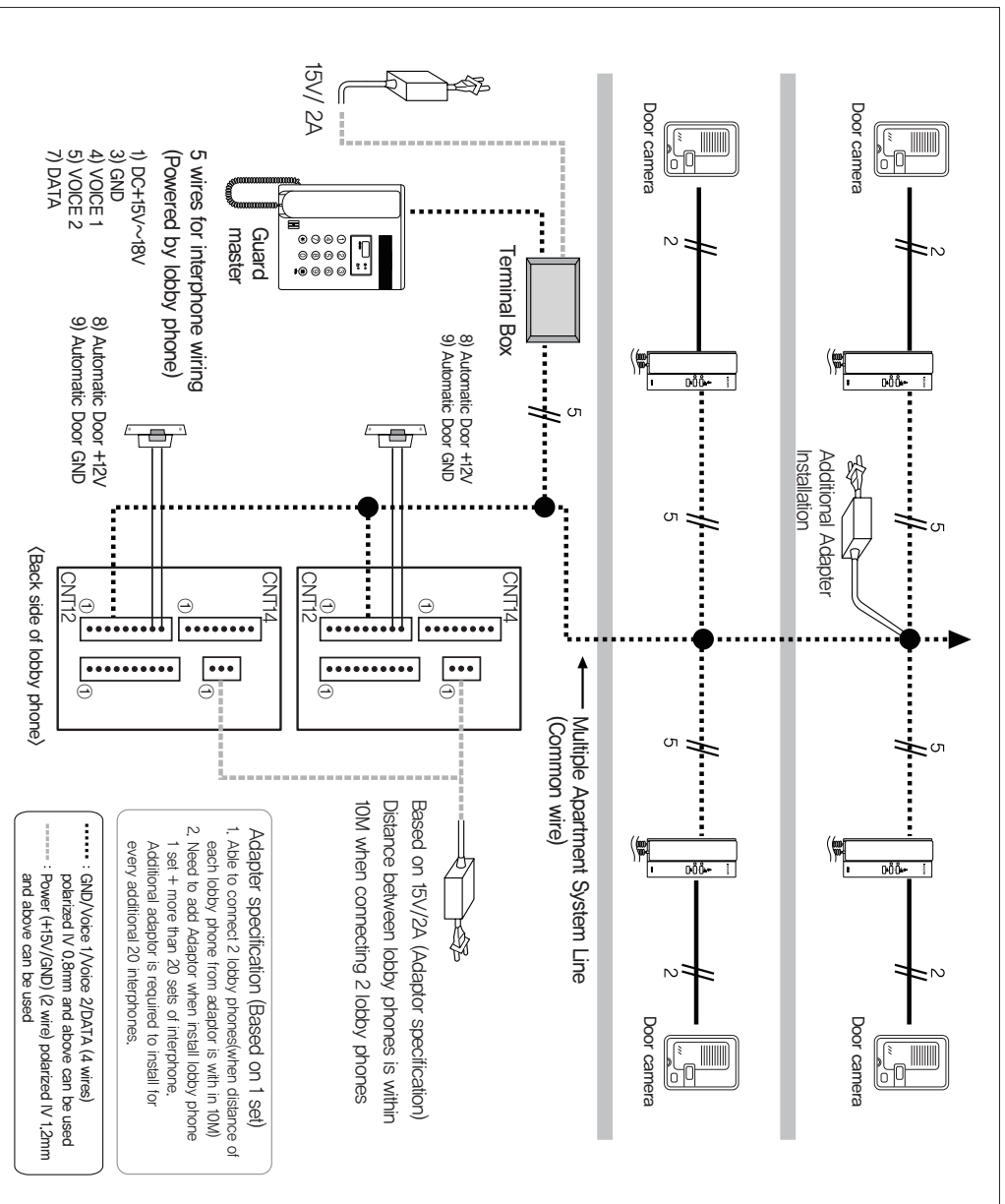


Stop up P.V.C pipe using adiabatic substances, to prevent air circulation

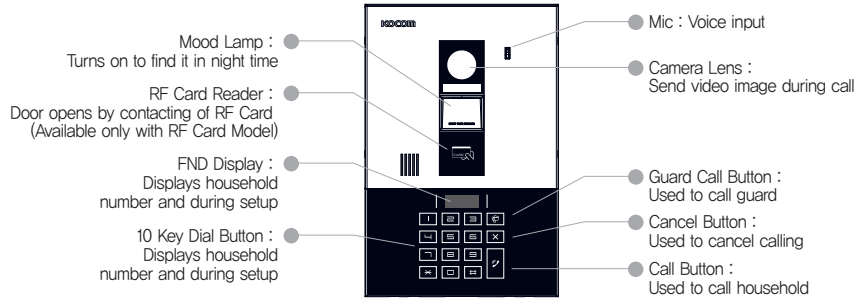
Wiring Diagram



Wiring Diagram



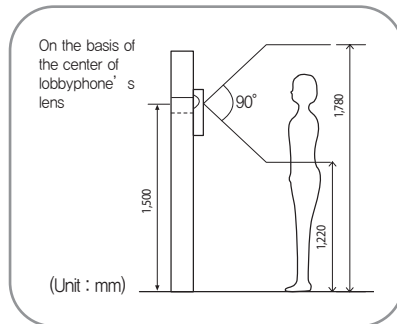
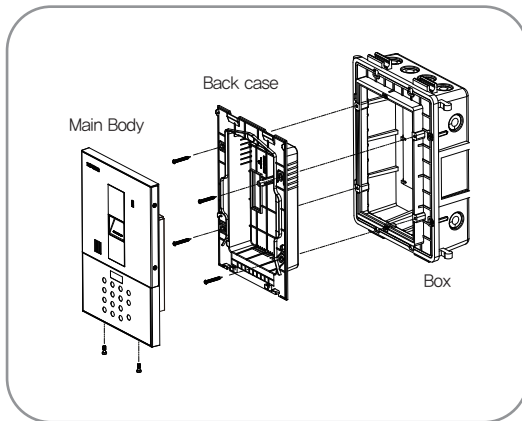
Name of each part



Product Spec

Product Name	KLP-C410	KLP-C410R	KLP-D410
Power Source	DC 15V~18V (Standby:4W, Operation:10W)	DC 15V~18V (Standby:4W, Operation:10W)	DC 15V~18V (Standby:3W, Operation:7W)
Power for internal operation	DC 12V		
Lobby Phone Data Type	PROTOCOL DATA TX/RX Type		
Call Type	Hands-free Type (2-Way)		
Call & Video Waiting Time	30 second waiting time after call, 3 minutes for call to household.		
Housing Material	Aluminum (A/L), PC, ABS		
Dimension	(W)174 X (H)263 X (D)15 (mm)		
Guaranteed Operation Temperature	-10°C~50°C		
LED On Feature	10-Key LED turned on for calling		
Video Angle	Feature to adjust up, down, left, right (90°)		None
Link with RF Card	Not linked	13.56MHz	Not linked

Installation

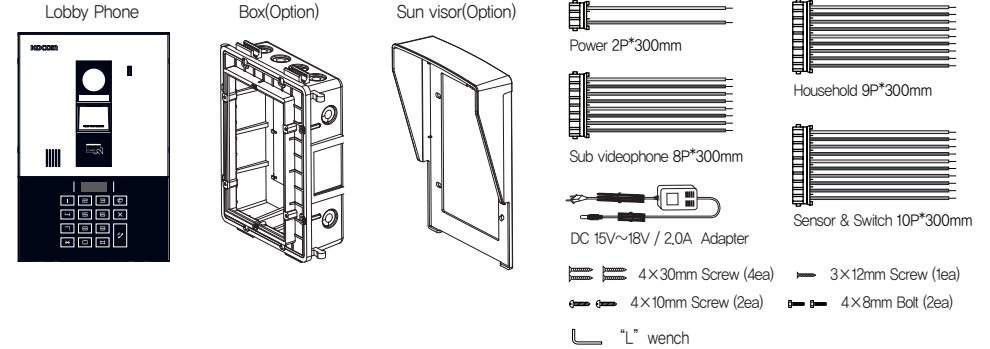


Standard height for installation of Lobbyphone

Standard installation height of lobbyphone is 1,400~1,450mm from floor to the bottom of flush mounting box.

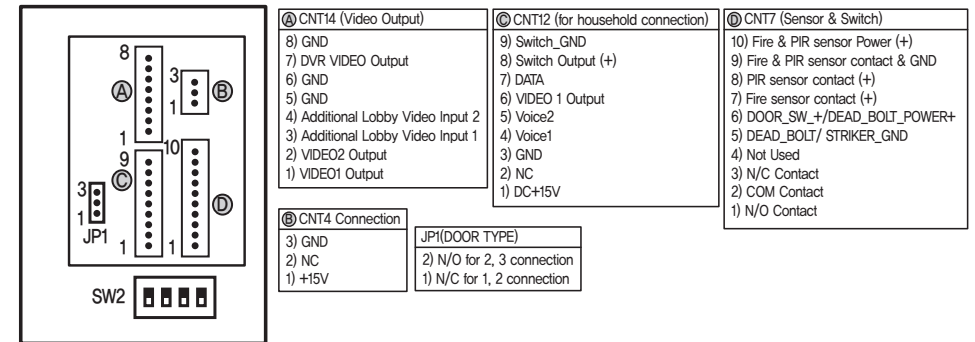
In case that the installation height of lobbyphone is out of the range (min,1,250mm~1,550mm), it's hard to get proper image, so be careful about the installation height of lobbyphone.

Components of product

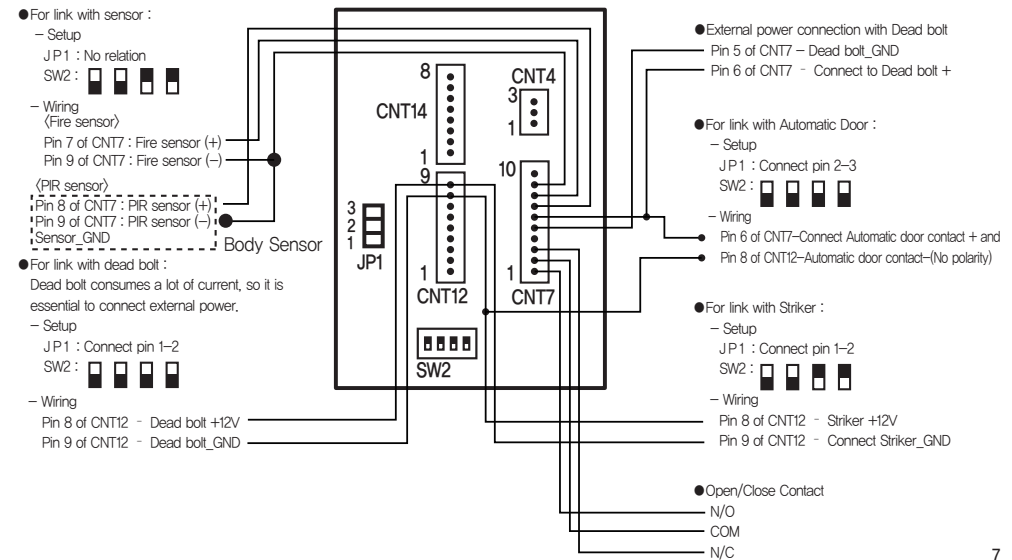


Wiring Diagram

Lobby Phone Terminals



Lobby Phone Terminal Connection

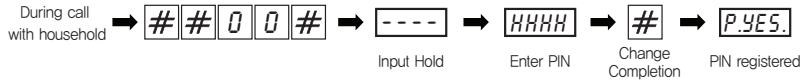


Setup

▷ Register household PIN number

[---] appears at FND when pressing [#][#][0][0][#] in sequence during call with household device.

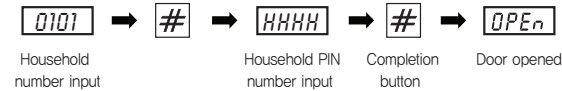
Now, enter PIN number and press [#] button, and household PIN number is registered with [P.YES.] display.



▷ Function to open lobby door using household PIN number

[---] appears at FND when pressing [#] button after pressing household number. Pressing 4 digit PIN of corresponding household and [#] will open lobby door that is connected with lobby phone. [OPEn] is displayed at FND with tone sound.

- Lobby door is opened only for set time.
- One PIN number is allowed for each household.

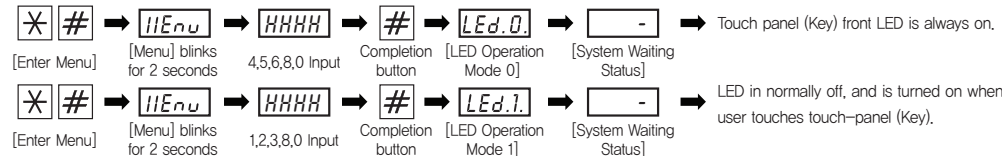


▷ LED Operation Mode Functions

- Pressing [*] and [#] at the same time in waiting status will blink [Menu] for 2 seconds at FND, and display [---] for PIN number input.

LED Operation Mode 0 Setup : FND displays [Led.0.] when pressing 4,5,6,8,0 and [#] in sequence from [---] state, and it sets LED Operation Mode 0.

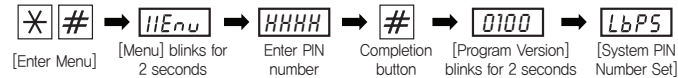
LED Operation Mode 1 Setup : FND displays [Led.1.] when pressing 1,2,3,8,0 and [#] in sequence from [---] state, and it sets LED Operation Mode 1. It is returned to waiting state with LED turned off after 2 seconds (LED is on when touching touch panel).



▷ Entering Menu Setup

- Pressing [*] and [#] at the same time in waiting status will blink [Menu] for 2 seconds at FND, and display [---] for PIN number input.
- It enters to PIN number setup menu after pressing system PIN number followed by [#]. (Default pin code : 9999)

- Please change the master Pin code after installation.



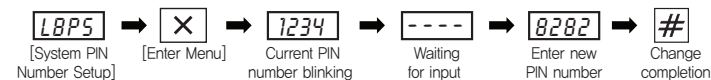
▷ Menu display and switching between menu

- Menu is switched to next menu every time pressing [Guard] button.
- Frequently used menus of 1~10 can be directly accessed by pressing 1,2,3,4,5,6,7,8,9,0 numeric key. (Pressing 0 will move to Menu 10).
- Menu 11, "English/Korean Menu" can be accessed by pressing [Guard] button.

- | | |
|------------------------------------------------------|--------------------------------------------|
| ① LbPS - System PIN Number Setup Menu | ⑦ RdEL - All RF-Card Deletion Menu |
| ② gEPS - Common PIN Number Setup Menu | ⑧ Lb.id - Lobby Phone ID Setup Menu |
| ③ dr-t - Lobby Door Open On-Time Setup Menu | ⑨ dur.E - Use of DVR Link Setup Menu |
| ④ Gdrd - Guardroom Routed Call/Interphone Setup Menu | ⑩ Prtc - System Link Version Setup Menu |
| ⑤ r.f.id - RF-Card Registration Menu | ⑪ ENGL - English/Korean Comment Setup Menu |
| ⑥ CdEL - RF-Card Deletion by Household Menu | |

▷ System PIN Number Setup

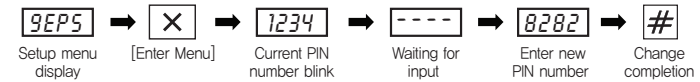
- FND displays [---] after blinking currently registered system PIN number twice when pressing [Cancel] button from System PIN Number Setup menu.
- Now, pressing new 4 digit PIN number and pressing [#] button. It will blink entered PIN number twice and setup is completed, and it will display next setup menu of "Common PIN Number Setup".



Setup

▷ Common PIN Number Setup

- Pressing [Cancel] button from Common PIN Number Setup menu will blink currently registered common PIN number twice and FND displays [---].
- Now, input new 4 digit PIN number and press [#] button. It will blink new PIN number twice and setup is completed, and it will display next setup menu of "Lobby Door Open On-Time Setup".



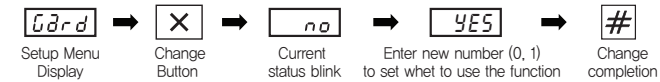
▷ Lobby Door Open On-Time Setup

- Pressing [Cancel] button from Lobby Door Open On-Time Setup menu will blink currently setup value [t-02] to FND, and the light is on.
- Now, press 1~8 to change the value and press [#] button. It will blink registered Door Open On-Time value and setup is completed, and it will display next setup menu of "Guardroom Routed Call Setup Menu" (The unit of time is second).



▷ Guardroom Routed Call Setup

- Pressing [Cancel] button from Guardroom Routed Call menu will blink currently setup value [no] to FND, and the light is on.
- Now, set whether user would Guardroom Routed Call function, Selecting 1 means to use the function, and selecting 0 means not to use the function.
- Select whether to use the function or not, and press [#] button. It will blink the selected status that indicates setup completion, and display the next setup menu of "RF-Card Registration".



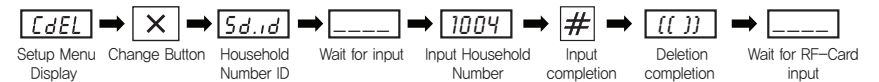
▷ RF-Card Registration

- Pressing [Cancel] button from RF-Card Registration menu will blink household input waiting status [Sd.id.] to FND, and [---] appears to input the household number.
- Input the household number to register the RF-Card, and press [#] button. It will display [Card].
- Contact the RF-Card to the reader when [Card.] appears, then the RF-Card is registered. "[[]]" appears when registration is successful, and [Card.] appears again in a few second to register other RF-Card so user can register multiple cards.
- It will automatically return to RF-Card Registration menu after specified period (15 seconds).
- RF-Card can be registered up to maximum 1000 cards without regard to the number of households.



▷ RF-Card Deletion by Household Menu

- Pressing [Cancel] button from RF-Card Deletion by Household menu will blink household input waiting status [Sd.id.] to FND, and [---] appears to input the household number.
- Input the household number to delete the RF-Card, and press [#] button. It will display [CdEL]. After a few seconds, RF-Card Data is deleted for corresponding household and blink "[[]]" to indicate deletion is completed, and [---] appears again to input household number for other RF-Card to delete.
- Input the household number and press [#] button, it will delete corresponding household's RF-Card Data.



▷ All RF-Card Deletion Menu

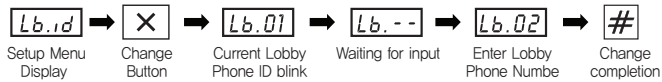
- Pressing [Cancel] button from All RF-Card Deletion menu will display [dEL.?] in FND that asks whether the user really wants to delete all RF-Card.
- Pressing [#] button will count up from [d.001]~[d.470], and display "[[]]" when it is completed, and display All RF-Card Deletion menu [AdEL].



Setup

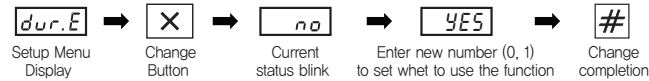
▷ Lobby Phone ID Setup

- Pressing [Cancel] button from Lobby Phone ID Setup menu will blink current Lobby Phone ID number [Lb.01], and displays [Lb.--] that can input Lobby Phone ID number.
- Now, input Lobby Phone ID number and press [#] button, it will complete Lobby Phone ID change, and it will display next setup menu of "Use of DVR Link Setup Menu".



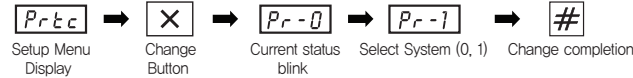
▷ Use of DVR Link Setup Menu

- Pressing [Cancel] button from Use of DVR Link Setup menu will blink currently setup status [no] to FND, and the light is on.
- Now, input whether to use DVR Link. Selecting 1 means to use the function, and selecting 0 means not to use the function.
- Select whether to use the function or not, and press [#] button. It will blink the selected status that indicates setup completion, and display the next setup menu of "System Link Version Setup Menu".



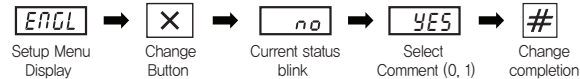
▷ System Link Version Setup Menu

- Pressing [Cancel] button from System Link Version Setup Menu will blink currently setup status [Pr-0] to FND, and the light is on.
- Now, select the version to link with the system and enter it.
- Selecting 0 means to use the Communication Protocol-0 (Old Version) for this system.
- Selecting 1 means to use the Communication Protocol-1 (New Version) for this system.
- Select System Link Version and press [#] button. It will blink the selected status that indicates setup completion, and display the next setup menu of "English/Korean Comment Setup Menu".



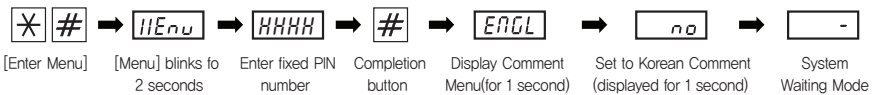
▷ English/Korean Comment Setup Menu

- Pressing [Cancel] button from English/Korean Comment Setup Menu will blink currently setup value [no] to FND, and the light is on after 2 second.
- Select and enter English/Korean Comment. Selecting 1 means to use English Comment, and selecting 0 means not to use English Comment.
- Not selecting English Comment means to use Korean Comment.
- Select which comment to use and press [#] button. It will blink the selected status that indicates setup completion, and display the next setup menu of "System PIN Number Setup".

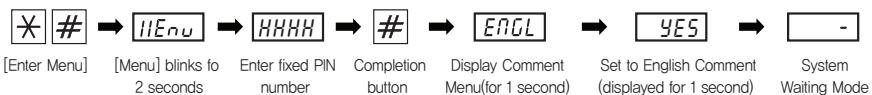


▷ Changing the English/Korean Comment selection using fixed PIN number

- Pressing [*] and [#] at the same time in waiting status will blink [Menu] for 2 seconds, and display [----] for PIN number input.
- (1) Korean Comment - Enter fixed PIN number (137950) for English/Korean Comment Change and press [#]. It will display [ENGL]-[no] and change to Korean Comment is completed. System will be in waiting mode.



- (2) English Comment - Enter fixed PIN number (137958) for English/Korean Comment Change and press [#]. It will display [ENGL]-[YES] and change to English Comment is completed. (All sound is expressed in Tone voice when English Comment is selected.)



Setup

■ General scenario by setup menu and each button

